

**Datum: 24/11/2022**  
**Onderwerp: Additief nr 1**

**Tijd: 18:20**  
**Document nr: 1.2**

---

*Van: Koersdirecteur*  
*Aan: Alle deelnemers*  
*Aantal pagina's: 1 - Bijlages: 0*

**VAS Goedkeuring –.....**

---

**A. PROGRAMMA: Art. 26**

**Tanken en procedures - Aanpassing wegens wegenwerken.**

**Vrijdag**

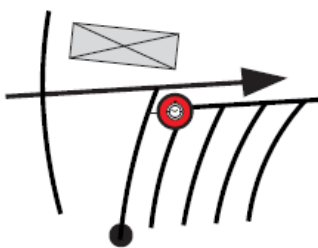
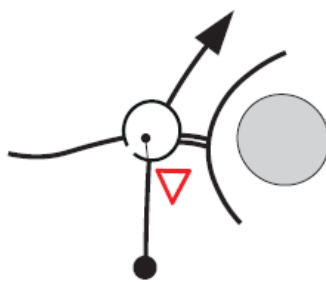
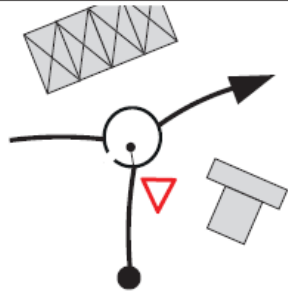
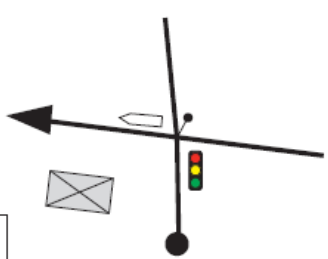

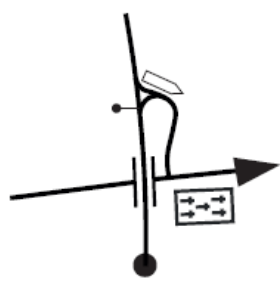

TC 0B Service Out-TC 1 Elverdinge

**Zaterdag**

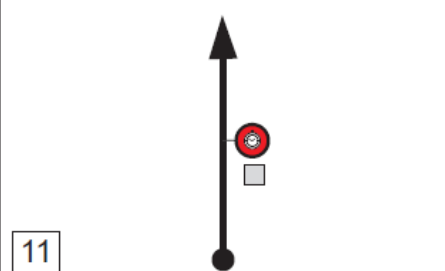
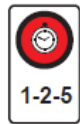
1D-4D Service Out-TC 2-4 Elverdinge

Afstand bedraagt 7.05km Pagina 13 box 5 en Pagina 14 box 6-7 werden aangepast naar nieuwe route.

De koersdirectie

DISTANCE		DIRECTION	INFORMATION	DISTANCE REGRESS.
TOTAL	PARTIAL			
TC 0B SERVICE OUT TC1 ELVERDINGE		DISTANCE : 7.05 km AVERAGE 26,44 km		SECTION 1 TIME ALLOWED 16 min
TC 1D-4D SERVICE OUT TC 2-5 ELVERDINGE		DISTANCE : 7.05 km AVERAGE 30,21 km		SECTION 2-3 TIME ALLOWED 14 min
0,00	0,00	1 		7,05
0,15	0,15	2 		6,90
0,39	0,24	3 		6,66
0,66	0,27	4 		6,39
1,85	1,19	5 		5,20

DISTANCE		DIRECTION	INFORMATION	DISTANCE REGRESS.
TOTAL	PARTIAL			
TC 0B SERVICE OUT TC1 ELVERDINGE		DISTANCE : 7.05 km AVERAGE 26,44 km		SECTION 1 TIME ALLOWED 16 min
TC 1D-4D SERVICE OUT TC 2-5 ELVERDINGE		DISTANCE : 7.05 km AVERAGE 30,21 km		SECTION 2-3 TIME ALLOWED 14 min
2,18	0,33			4,87
2,94	0,76			4,11
4,46	1,52			2,59
5,16	0,70			1,89
6,59	1,43			0,46

TC 0B SERVICE OUT TC1 ELVERDINGE		DISTANCE : 7.05 km AVERAGE 26,44 km	SECTION 1 TIME ALLOWED 16 min
TC 1D-4D SERVICE OUT TC 2-5 ELVERDINGE		DISTANCE : 7.05 km AVERAGE 30,21 km	SECTION 2-3 TIME ALLOWED 14 min
DISTANCE TOTAL PARTIAL		DIRECTION	INFORMATION
7,05	0,46		
			DISTANCE REGRESS. 0,00